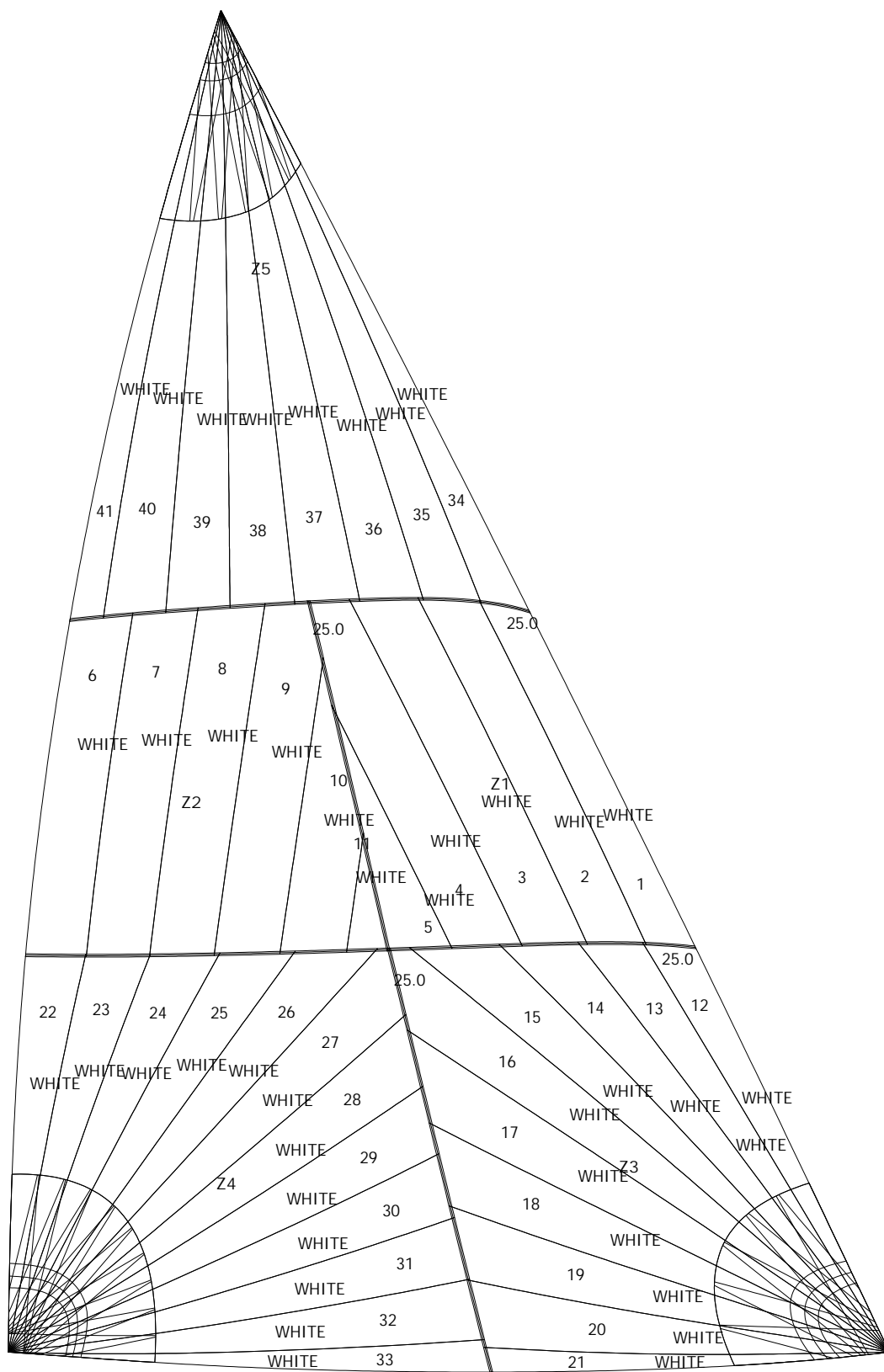
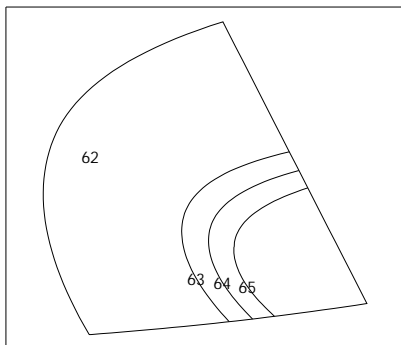


# Panel layout

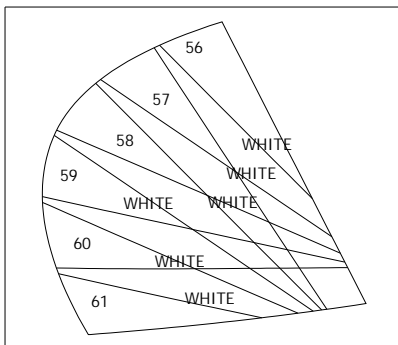


0 5m

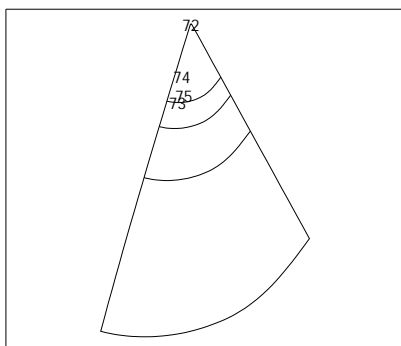
## Patch layout



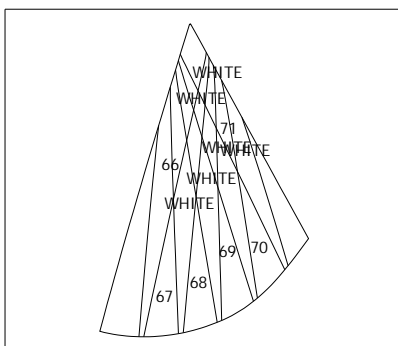
P9



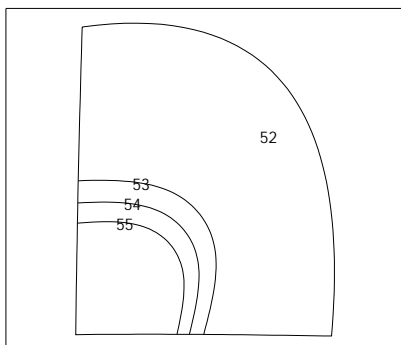
P8



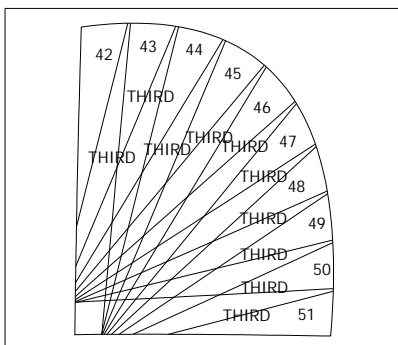
P11



P10



P7



P6

Date: 2023/9/15  
Designer:  
Company:  
Filename: 7000824 Attila code 0.pak

**Sail:**  
**Boat:**  
**Customer:**  
Order Ref.:

## Measurement Check List

### Measurement rules Ref.: Spi IRC

Area = 57.115 m<sup>2</sup> [SHW] = 4.856 m [SF] = 8.002 m [Luff] = 13.331 m [Leech] = 12.332 m SPA = 58.42 [SMW] = 8.002 m

Angles (Flat on the floor) Clew: 88.94 j ¯ Tack: 71.18 j ¯ Head : 47.88 j ¯

### Roach (After broadseaming)

	1/8	2/8	3/8	4/8	5/8	6/8	7/8
Luff	-69.9 mm	-119.8 mm	-148.9 mm	-157.7 mm	-147.9 mm	-116.5 mm	-64.6 mm
Leech	73.2 mm	124.4 mm	154.4 mm	166.0 mm	160.4 mm	134.7 mm	78.6 mm

### Reef, Battens, Shape stripes

#### Area & Weight

Sail area: 57.12 m<sup>2</sup> Reefed: No reef

Material area: 77.98 m<sup>2</sup> Material weight: ??? Total weight: ???

#### Materials

Material's ID	Material's ref. (&color)	Area (m <sup>2</sup> )	Mass (gr)	Panels
	Default	8.473		52-55 62-65 72-75
THIRD	NYLITE FLO YELLOW	3.928		42-51
WHITE	Default	65.576		1-41 56-61 66-71

#### Seam width

Seam width (mm)	Zones; Total length (m)
25.0	Zone-seams: 1...4; TOTAL: 18.0m
13.0	Zones: Z1...Z5; TOTAL: 155.4m

#### Sail outline finishings

Hemmings: None

Outline drawings: None

#### Notes

