



Date: 18/03/2024

Designer: BIFA

Company: Far east

Filename: 7000802 Jeffrey code zero -Pajot 41 pak

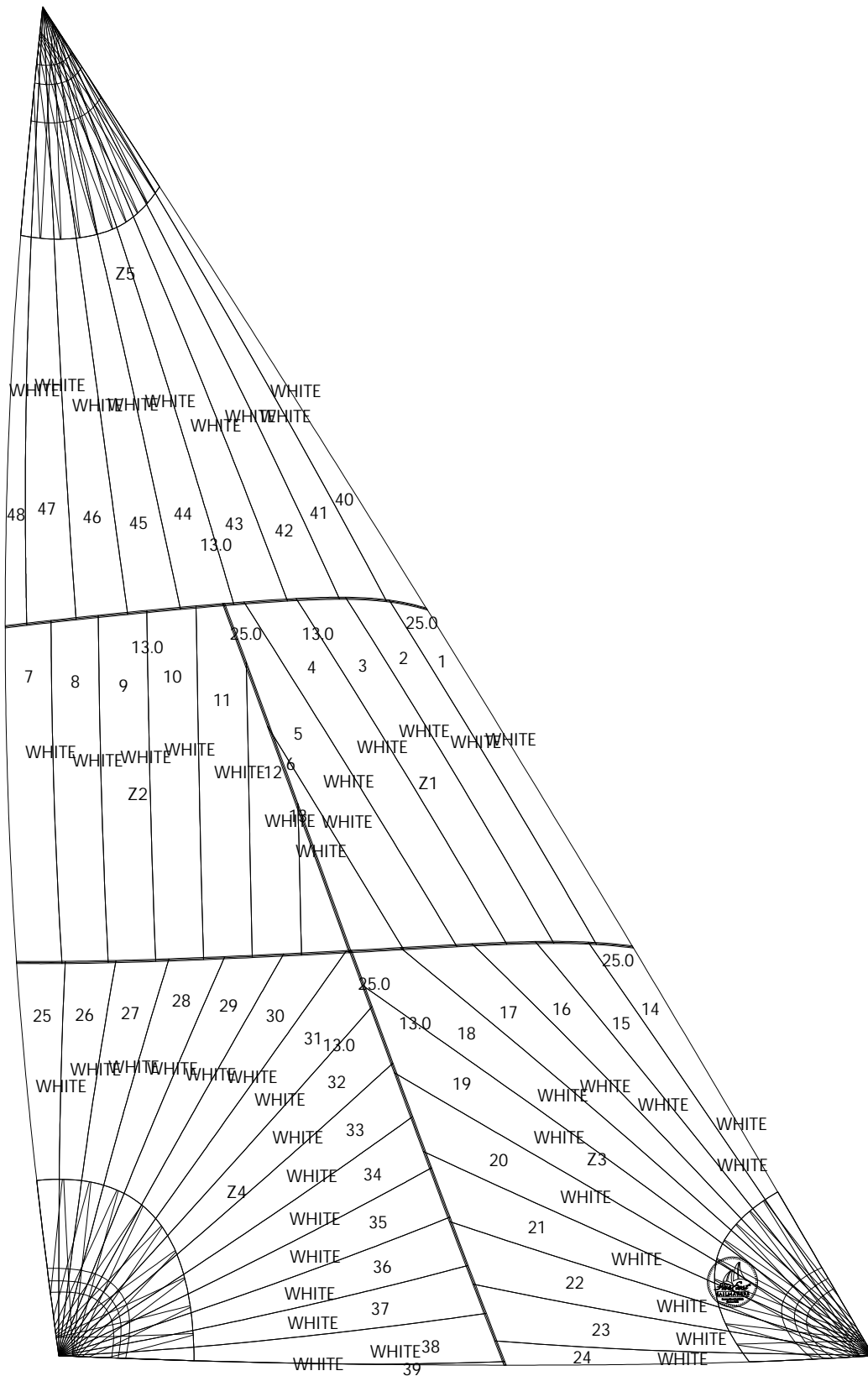
Sail: Code Zero

Boat: Pajot 41

Customer:

Order Ref.: 7000802 Jeffrey

Panel layout



0 5m



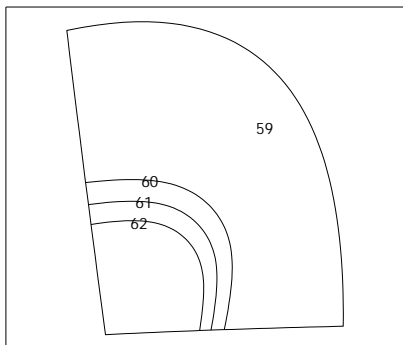


Date: 18/03/2024
 Designer: BIFA
 Company: Far east

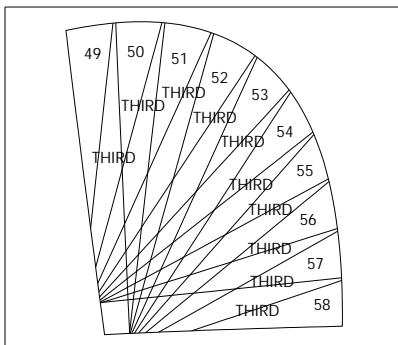
Sail: Code Zero
 Boat: Pajot 41
 Customer:
 Order Ref.: 7000802 Jeffrey

Filename: 7000802 Jeffrey code zero -Pajot 41 pak

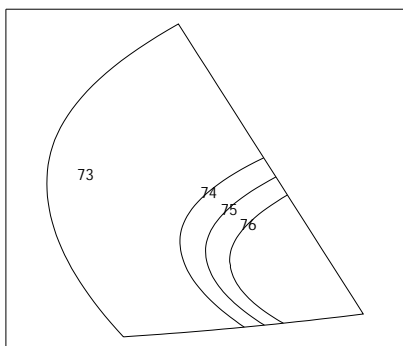
Patch layout



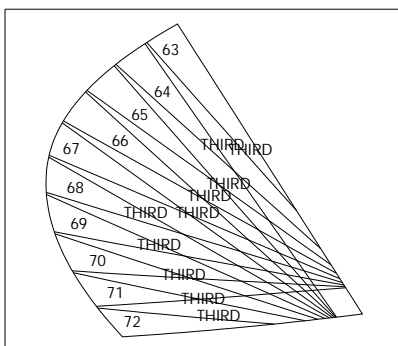
P7



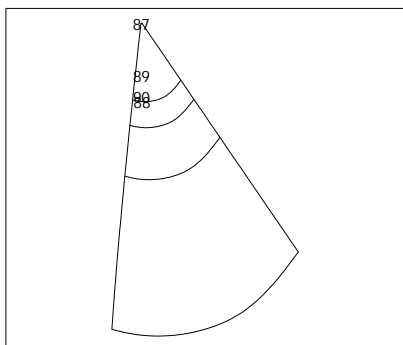
P6



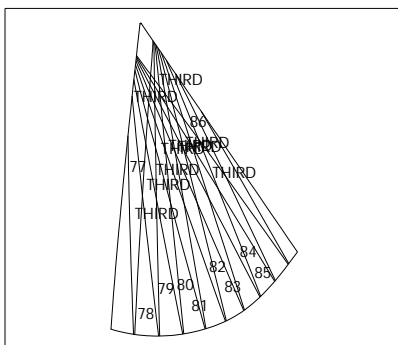
P9



P8



P11



P10





Date: 18/03/2024

Designer: BIFA

Company: Far east

Filename: 7000802 Jeffrey code zero -Pajot 41 pak

Sail: Code Zero

Boat: Pajot 41

Customer:

Order Ref.: 7000802 Jeffrey

Measurement Check List

Measurement rules Ref.: SPI IRC

Area = 79.992 m2 [SHW] = 5.508 m [SF] = 9.103 m [Luff] = 17.350 m [Leech] = 15.042 m SPA = 83.71 [SMW] = 9.103 m

Angles (Flat on the floor) Clew: 94.90 j ¨ Head: 42.53 j ¨ Tack: 64.41 j ¨

Roach (After broadseaming)

	1/8	2/8	3/8	4/8	5/8	6/8	7/8
Luff	-81.6 mm	-141.3 mm	-176.8 mm	-188.1 mm	-176.7 mm	-139.2 mm	-77.2 mm
Leech	55.3 mm	94.5 mm	121.0 mm	136.4 mm	139.2 mm	124.3 mm	76.1 mm

Reef, Battens, Shape stripes

Area & Weight

Sail area: 79.99 m2 Reefed: No reef

Material area: 110.63 m2 Material weight: ??? Total weight: ???

Materials

Material's ID	Material's ref. (&color)	Area (m2)	Mass (gr)	Panels
	Default	12.016		59-62 73-76 87-90
THIRD	NYLITE FLO YELLOW	15.280		49-58 63-72 77-86
WHITE	Default	83.329		1-48

Seam width

Seam width (mm)	Zones; Total length (m)
25.0	Zone-seams: 1...4; TOTAL: 21.3m
13.0	Zones: Z1...Z5; TOTAL: 224.8m

Sail outline finishings

Hemmings: None

Outline drawings: None

Notes

