

Mainsail: 7000724 Matteo-1 Fountaine Pajot Lavezzi 40 Mainsail.des

Design Info
=====

Design File:
\\NAS\Engineering files\Queenie-Customer Order\Fareast Sails\2023 Order\Need to be Confirmed Order\7000724 Mat

Initial Design Date: 6/9/2023
Boat:

Comments:

Client:

Design Data
=====

Main

Measurements

Luff geodesic: 13.670m
Leech geodesic: 13.750m
Foot geodesic: 5.540m
Head geodesic: 0.135m
Upper width (MUW): 1.289m
Three-quarter width (MTW): 2.347m
Half width (MHW): 3.943m
Quarter width (MQW): 4.952m
Foot median: 13.629m
ORC Mainsail area: 48.199m?
Surface area: 49.917m?
Clew height: 1.111m
Mast rake: 0.000m

Battens

Position	Length	Roach	Angle	Luff	Leech	Full
85.184%	1.770m	0.700m	78.025?	11.612m	11.600m	Full
69.949%	2.970m	0.965m	78.025?	9.535m	9.526m	Full
53.946%	3.910m	0.988m	78.025?	7.362m	7.346m	Full
36.151%	4.670m	0.807m	78.025?	4.950m	4.923m	Full
16.607%	5.260m	0.465m	78.025?	2.309m	2.262m	Full

Reefing Points

1, Luff: 1.800m ; Leech: 1.805m ; Offset: 0.000m ; Number Eyelets: 0
2, Luff: 4.000m ; Leech: 3.992m ; Offset: 0.000m ; Number Eyelets: 0

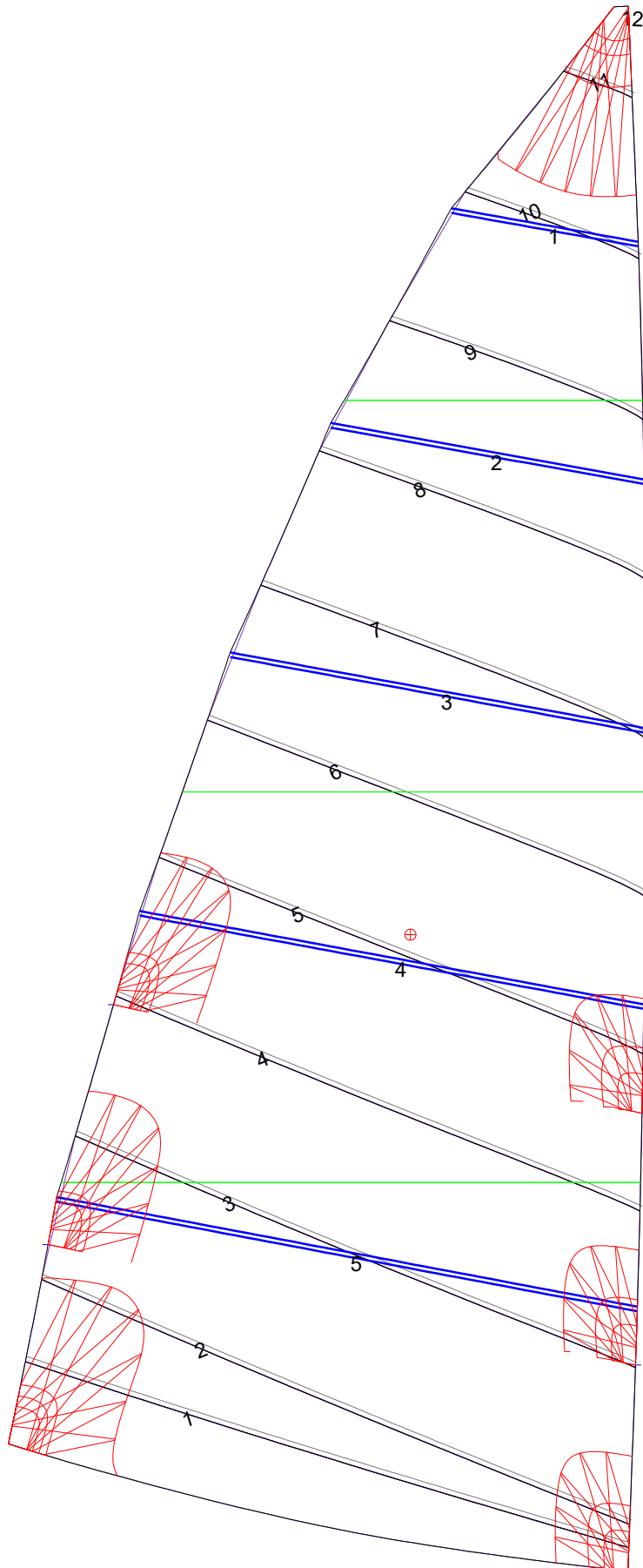
Draft Stripes

1, Luff: 3.396m ; Leech: 2.366m ;
2, Luff: 6.805m ; Leech: 5.943m ;
3, Luff: 10.225m ; Leech: 9.605m ;

Luff Curve

		Fanned Luff (@ 5.00% [0.271m])	Before BSeam
13.667m,	0.000m	100% (13.670m) :	0.000m
11.964m,	-0.073m	90% (12.307m) :	0.037m
10.250m,	-0.125m	80% (10.935m) :	0.163m
8.532m,	-0.147m	70% (9.570m) :	0.224m
7.299m,	-0.150m	60% (8.202m) :	0.256m
5.092m,	-0.139m	50% (6.835m) :	0.262m
3.417m,	-0.111m	40% (5.468m) :	0.245m
1.703m,	-0.063m	30% (4.101m) :	0.206m
0.000m,	0.000m	20% (2.732m) :	0.144m
		10% (1.370m) :	0.028m
		0% (0.000m) :	0.000m

Mainsail: 7000724 Matteo-1 Fontaine Pajot Lavezzi 40 Mainsail.des



Seam Allowances			
Zone: 1	Split	Radial	Cross
	0.045m	0.045m	0.045m

Edge Excesses			
Sail:	Luff	Leech	Foot
	0.000m	0.000m	0.000m

Total Seam Lengths (m)

Horizontal	42.67
Radial/Vertical	0.00
Bi-Radial Split	0.00

Materials

Material	Area (m ²)	Panels
Material 1	49.90	1,2,3,4,5 6,7,8,9,10 11,12