

Genoa: 7000623 Dennis Self-tacking jibV2.des

Design Info
=====

Design File:
\\NAS\Engineering files\Queenie-Customer Order\Fareast Sails\2023 Order\Need Confrim Order\7000623 Dennis\7000

Initial Design Date: 12/7/2023
Boat:

Comments:

Client:

Design Data
=====

Genoa

Measurements

Luff geodesic: 8.910m
Leech geodesic: 7.924m
Foot geodesic: 2.756m
Headboard width: 0.050m
Luff perpendicular (HLP): 2.403m
Upper width (HUW): 0.333m
Three-quarter width (HTW): 0.622m
Half width (HHW): 1.216m
Quarter width (HQW): 1.815m
Foot median: 8.380m
ORC Headsail area: 10.853m?
IRC Headsail area: 10.827m?
Surface area: 10.917m?
Forestay height: 8.700m
J: 3.000m

Battens

Position	Length	Roach	Angle	Luff	Leech	Full
78.000%	0.450m	0.000m	91.260?	7.067m	6.163m	
52.000%	0.630m	0.000m	91.260?	4.906m	4.109m	
27.000%	0.630m	0.000m	91.260?	2.829m	2.133m	

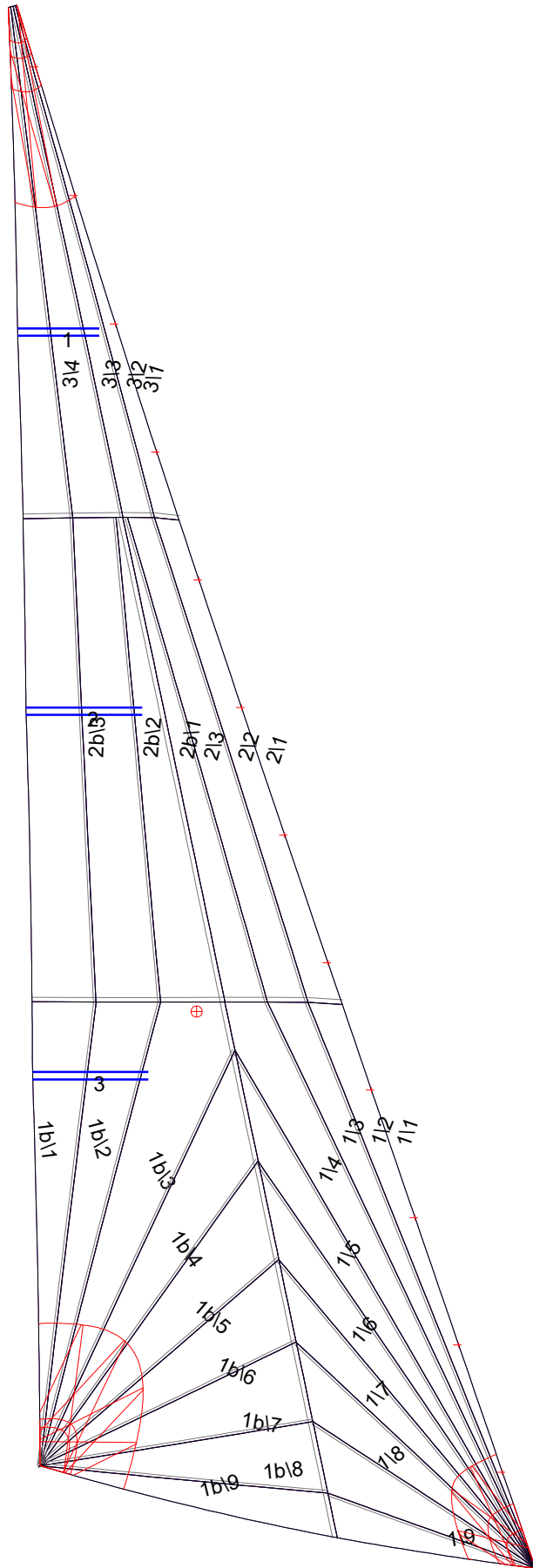
Luff Slides

1, Position: 0.550m
2, Position: 1.278m
3, Position: 2.006m
4, Position: 2.735m
5, Position: 3.463m
6, Position: 4.191m
7, Position: 4.919m
8, Position: 5.647m
9, Position: 6.375m
10, Position: 7.104m
11, Position: 7.832m
12, Position: 8.560m

Luff Curve

		Fanned Luff (@ 5.00% [0.134m])	Before BSeam
8.908m,	0.000m	100% (8.908m) :	0.000m
8.168m,	0.030m	90% (8.017m) :	-0.013m
7.349m,	0.055m	80% (7.128m) :	-0.020m
6.629m,	0.067m	70% (6.236m) :	-0.019m
5.791m,	0.072m	60% (5.346m) :	-0.014m
4.433m,	0.063m	50% (4.454m) :	-0.007m
2.895m,	0.043m	40% (3.564m) :	-0.001m
1.506m,	0.021m	30% (2.673m) :	0.002m
0.000m,	0.000m	20% (1.782m) :	0.004m
		10% (0.890m) :	0.003m
		0% (0.000m) :	0.000m

Genoa: 7000623 Dennis Self-tacking jibV2.des



Seam Allowances

Zone:	Split	Radial	Cross
Zone: 1/a	0.025m	0.014m	0.025m
Zone: 1/b	0.025m	0.014m	0.025m
Zone: 2/a	0.025m	0.014m	0.025m
Zone: 2/b	0.025m	0.014m	0.025m
Zone: 3	0.025m	0.014m	0.025m

Edge Excesses

Sail:	Luff	Leech	Foot
Sail:	0.000m	0.000m	0.000m

Total Seam Lengths (m)

Horizontal	2.64
Radial/Vertical	54.77
Bi-Radial Split	5.87

Materials

Material	Area (m ²)	Panels
Material 1	10.94	1\1,1\2,1\3,1\4,1\5 1\6,1\7,1\8,1\9,1b1 1b2,1b3,1b4,1b5,1b6 1b7,1b8,1b9,2\1,2\2 2\3,2b1,2b2,2b3,3\1 3\2,3\3,3\4