

Mainsail: 7000612 Joao-1 Mainsail.des

Design Info
=====

Design File:
\\NAS\Engineering files\Queenie-Customer Order\Fareast Sails\2024 Orders\Need to be Confirmed\7000612 Joao main

Initial Design Date: 13/4/2024
Boat:

Comments:

Client:

Design Data
=====

Main

Measurements

Luff geodesic:	7.570m
Leech geodesic:	8.018m
Foot geodesic:	2.790m
Head geodesic:	0.103m
Upper width (MUW):	0.530m
Three-quarter width (MTW):	0.958m
Half width (MHW):	1.685m
Quarter width (MQW):	2.293m
Foot median:	7.702m
ORC Mainsail area:	12.077m?
Surface area:	12.309m?
Clew height:	0.100m
Mast rake:	0.000m

Battens

Position	Length	Roach	Angle	Luff	Leech	Full
80.000%	0.500m	0.137m	71.914?	6.051m	6.397m	
60.000%	0.700m	0.183m	71.914?	4.536m	4.798m	
40.000%	0.700m	0.158m	71.914?	3.022m	3.199m	
20.000%	0.700m	0.089m	71.914?	1.508m	1.599m	

Reefing Points

- 1, Luff: 0.923m ; Leech: 0.960m ; Offset: 0.000m ; Number Eyelets: 2
- 2, Luff: 2.005m ; Leech: 2.085m ; Offset: 0.000m ; Number Eyelets: 2

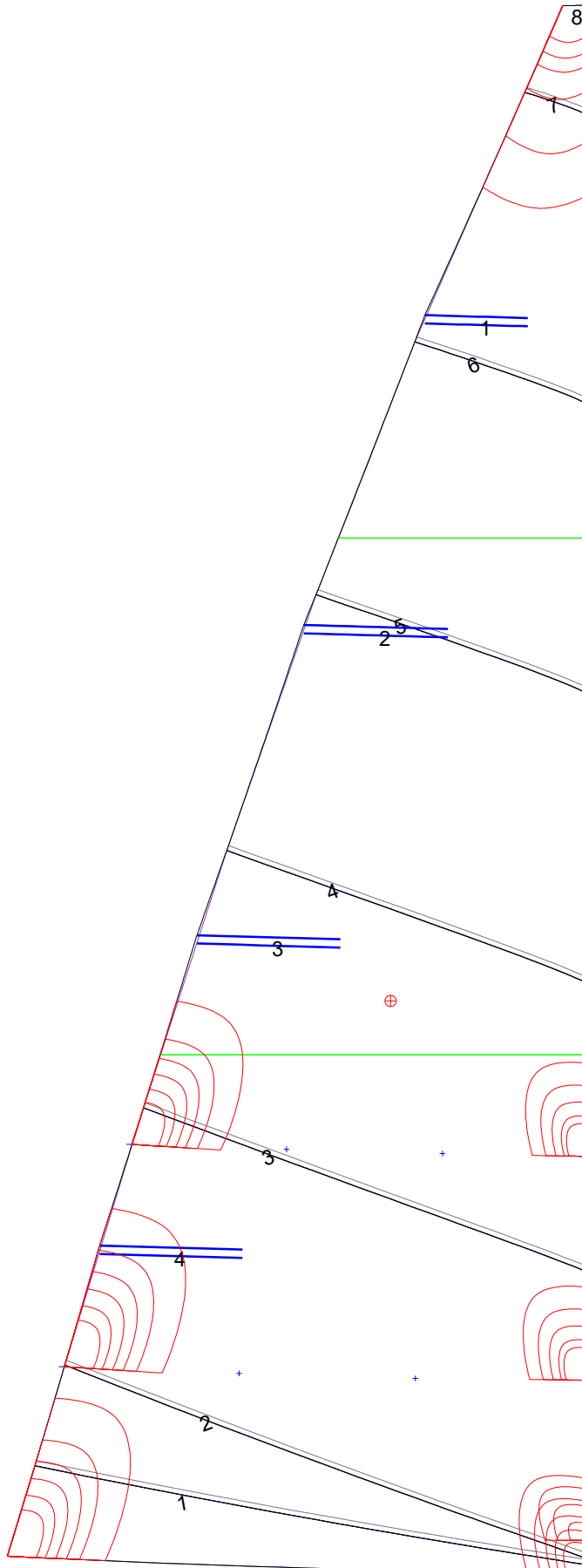
Draft Stripes

- 1, Luff: 2.497m ; Leech: 2.541m ;
- 2, Luff: 4.995m ; Leech: 5.181m ;

Luff Curve

		Fanned Luff (@ 5.00% [0.139m])	Before BSeam
7.570m,	0.000m	100% (7.570m) :	0.000m
6.626m,	-0.017m	90% (6.813m) :	0.011m
5.677m,	-0.030m	80% (6.056m) :	0.021m
4.726m,	-0.035m	70% (5.299m) :	0.026m
3.785m,	-0.036m	60% (4.542m) :	0.027m
2.821m,	-0.033m	50% (3.785m) :	0.027m
1.892m,	-0.027m	40% (3.028m) :	0.025m
0.943m,	-0.015m	30% (2.271m) :	0.021m
0.000m,	0.000m	20% (1.514m) :	0.015m
		10% (0.757m) :	0.007m
		0% (0.000m) :	0.000m

Mainsail: 7000612 Joao-1 Mainsail.des



Seam Allowances			
Zone: 1	Split	Radial	Cross
	0.025m	0.025m	0.025m

Edge Excesses			
Sail:	Luff	Leech	Foot
	0.000m	0.000m	0.000m

Total Seam Lengths (m)

Horizontal	12.40
Radial/Vertical	0.00
Bi-Radial Split	0.00

Materials

Material	Area (m ²)	Panels
Material 1	12.29	1,2,3,4,5 6,7,8