

Mainsail: 7000605 Flavio-1 MainsailV1.des

Design Info
=====

Design File:
\\NAS\Engineering files\Queenie-Customer Order\Fareast Sails\2023 Order\Need Confrim Order\7000605 Flavio\7000

Initial Design Date: 15/6/2023
Boat:

Comments:

Client:

Design Data
=====

Main

Measurements

Luff geodesic: 8.613m
Leech geodesic: 9.058m
Foot geodesic: 3.069m
Head geodesic: 0.115m
Upper width (MUW): 0.633m
Three-quarter width (MTW): 1.135m
Half width (MHW): 1.953m
Quarter width (MQW): 2.571m
Foot median: 8.827m
ORC Mainsail area: 15.621m?
Surface area: 16.078m?
Clew height: 0.100m
Mast rake: 0.000m

Battens

Position	Length	Roach	Angle	Luff	Leech	Full
82.000%	0.928m	0.216m	72.165?	7.061m	7.399m	Full
62.000%	1.640m	0.280m	72.165?	5.343m	5.595m	Full
41.500%	2.216m	0.247m	72.165?	3.581m	3.745m	Full
21.000%	2.669m	0.143m	72.165?	1.820m	1.895m	Full

Reefing Points

1, Luff: 1.292m ; Leech: 1.336m ; Offset: 0.000m ; Number Eyelets: 0
2, Luff: 2.583m ; Leech: 2.671m ; Offset: 0.000m ; Number Eyelets: 0
3, Luff: 3.875m ; Leech: 4.009m ; Offset: 0.000m ; Number Eyelets: 0

Draft Stripes

1, Luff: 2.841m ; Leech: 2.875m ;
2, Luff: 5.683m ; Leech: 5.860m ;

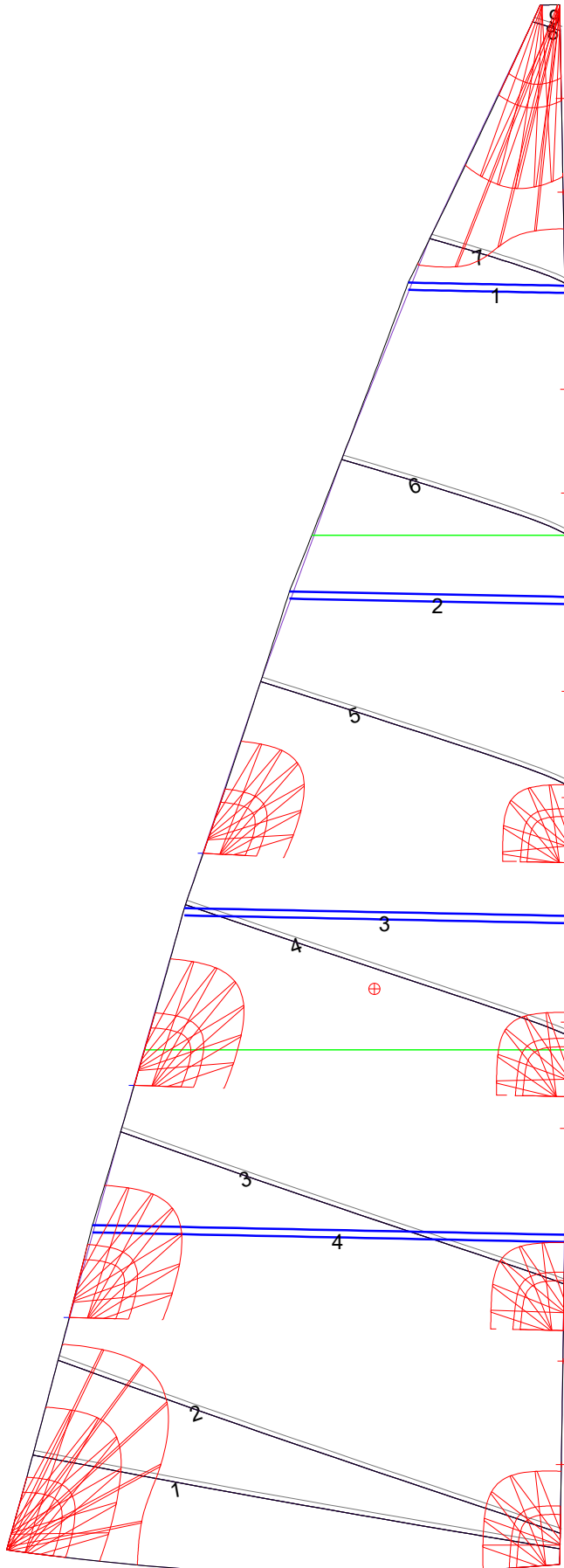
Luff Slides

1, Position: 0.551m
2, Position: 1.123m
3, Position: 2.407m
4, Position: 2.994m
5, Position: 4.235m
6, Position: 4.822m
7, Position: 5.916m
8, Position: 6.488m
9, Position: 7.579m
10, Position: 8.096m

Luff Curve

		Fanned Luff (@ 5.00% [0.153m])	Before BSeam
8.613m,	0.000m	100% (8.613m) :	0.000m
7.539m,	-0.020m	90% (7.752m) :	0.035m
6.459m,	-0.034m	80% (6.890m) :	0.067m
5.377m,	-0.041m	70% (6.029m) :	0.092m
4.306m,	-0.041m	60% (5.168m) :	0.106m
3.209m,	-0.038m	50% (4.307m) :	0.107m
2.153m,	-0.031m	40% (3.445m) :	0.097m
1.073m,	-0.017m	30% (2.584m) :	0.079m
0.000m,	0.000m	20% (1.723m) :	0.054m
		10% (0.861m) :	0.026m
		0% (0.000m) :	0.000m

Mainsail: 7000605 Flavio-1 MainsailV1.des



Seam Allowances			
Zone: 1	Split	Radial	Cross
	0.026m	0.026m	0.026m

Edge Excesses			
Sail:	Luff	Leech	Foot
	0.000m	0.000m	0.000m

Total Seam Lengths (m)

Horizontal	15.19
Radial/Vertical	0.00
Bi-Radial Split	0.00

Materials

Material	Area (m ²)	Panels
Material 1	16.07	1,2,3,4,5 6,7,8,9