

Mainsail: 7000509 Andrea MainsailV1.des

Design Info

=====

Design File:

\\NAS\Engineering files\Queenie-Customer Order\Fareast Sails\2023 Order\Need Confrim Order\7000509 Andrea\7000

Initial Design Date: 17/5/2023

Boat:

Comments:

Client:

Design Data

=====

Main

Measurements

Luff geodesic:	13.300m
Leech geodesic:	13.781m
Foot geodesic:	4.000m
Head geodesic:	0.135m
Upper width (MUW):	0.824m
Three-quarter width (MTW):	1.474m
Half width (MHW):	2.533m
Quarter width (MQW):	3.345m
Foot median:	13.542m
ORC Mainsail area:	31.352m?
Surface area:	32.013m?
Clew height:	0.100m
Mast rake:	0.000m

Battens

Position	Length	Roach	Angle	Luff	Leech	Full
82.000%	0.832m	0.272m	73.733?	10.923m	11.269m	
62.000%	1.188m	0.353m	73.733?	8.284m	8.521m	
41.500%	1.188m	0.311m	73.733?	5.579m	5.703m	
21.000%	0.990m	0.180m	73.733?	2.875m	2.886m	

Reefing Points

1, Luff: 2.200m ; Leech: 2.254m ; Offset: 0.000m ; Number Eyelets: 2
 2, Luff: 4.454m ; Leech: 4.564m ; Offset: 0.000m ; Number Eyelets: 2
 3, Luff: 6.449m ; Leech: 6.613m ; Offset: 0.000m ; Number Eyelets: 2

Draft Stripes

1, Luff: 3.324m ; Leech: 3.317m ;
 2, Luff: 6.648m ; Leech: 6.753m ;
 3, Luff: 9.973m ; Leech: 10.218m ;

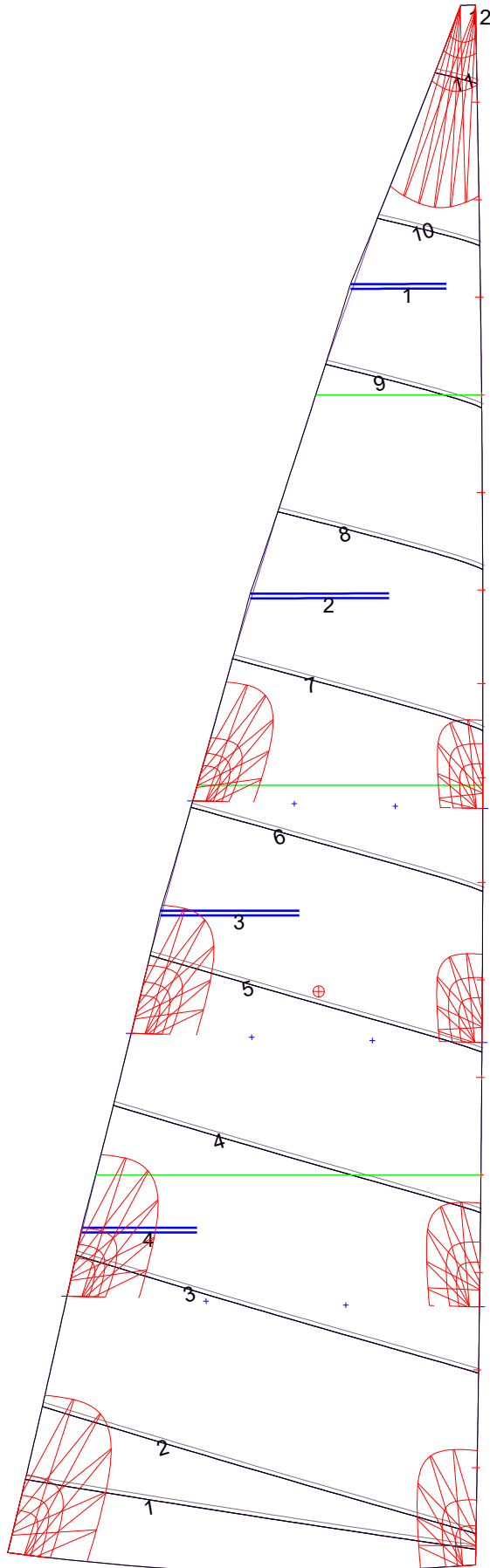
Luff Slides

1, Position: 0.830m
 2, Position: 1.661m
 3, Position: 2.493m
 4, Position: 3.324m
 5, Position: 4.156m
 6, Position: 4.987m
 7, Position: 5.819m
 8, Position: 6.711m
 9, Position: 7.515m
 10, Position: 8.313m
 11, Position: 9.144m
 12, Position: 9.976m
 13, Position: 10.807m
 14, Position: 11.639m
 15, Position: 12.470m

Luff Curve

		Fanned Luff (@ 5.00% [0.199m])	Before BSeam
13.299m,	0.000m	100% (13.300m) :	0.000m
11.642m,	-0.030m	90% (11.970m) :	0.017m
9.975m,	-0.052m	80% (10.640m) :	0.089m
8.303m,	-0.061m	70% (9.310m) :	0.122m
6.650m,	-0.063m	60% (7.980m) :	0.138m
4.956m,	-0.058m	50% (6.650m) :	0.140m
3.325m,	-0.046m	40% (5.320m) :	0.129m
1.657m,	-0.026m	30% (3.990m) :	0.106m
0.000m,	0.000m	20% (2.660m) :	0.073m
		10% (1.330m) :	0.035m
		0% (0.000m) :	0.000m

Mainsail: 7000509 Andrea MainsailV1.des



Seam Allowances			
Zone: 1	Split	Radial	Cross
	0.036m	0.036m	0.036m

Edge Excesses			
Sail:	Luff	Leech	Foot
	0.000m	0.000m	0.000m

Total Seam Lengths (m)

Horizontal	27.62
Radial/Vertical	0.00
Bi-Radial Split	0.00

Materials

Material	Area (m ²)	Panels
Material 1	32.03	1,2,3,4,5 6,7,8,9,10 11,12