

Genoa: 6001204 Torodd Dehler 29-2 GenoaV1.des

Design Info

=====

Design File:

F:\Dropbox\Dropbox-20221019\Dropbox20221213\Dropbox\Fareast Sails\2023 Order\Need Confrim Order\6001204 To

Initial Design Date: 1/2/2023
 Boat:
 Dehler 29 GENOA
 Client:

Comments:
 LP :3.3m
 luff: 10.57m
 leech: 10.1m
 foot: 3.44m

Design Data

=====

Genoa

Measurements

Luff geodesic: 10.570m
 Leech geodesic: 10.100m
 Foot geodesic: 3.442m
 Headboard width: 0.035m
 Luff perpendicular (HLP): 3.300m
 Upper width (HUW): 0.490m
 Three-quarter width (HTW): 0.938m
 Half width (HHW): 1.762m
 Quarter width (HQW): 2.547m
 Foot median: 10.334m
 ORC Headsail area: 18.193m?
 IRC Headsail area: 18.209m?
 Surface area: 18.504m?
 Forestay height: 11.100m
 J: 3.130m

Battens

Position	Length	Roach	Angle	Luff	Leech	Full
76.233%	1.200m	0.090m	161.422?	61.000m	7.681m	
51.367%	1.200m	0.069m	161.422?	132.589m	5.175m	
26.888%	1.200m	0.032m	161.422?	203.067m	2.709m	

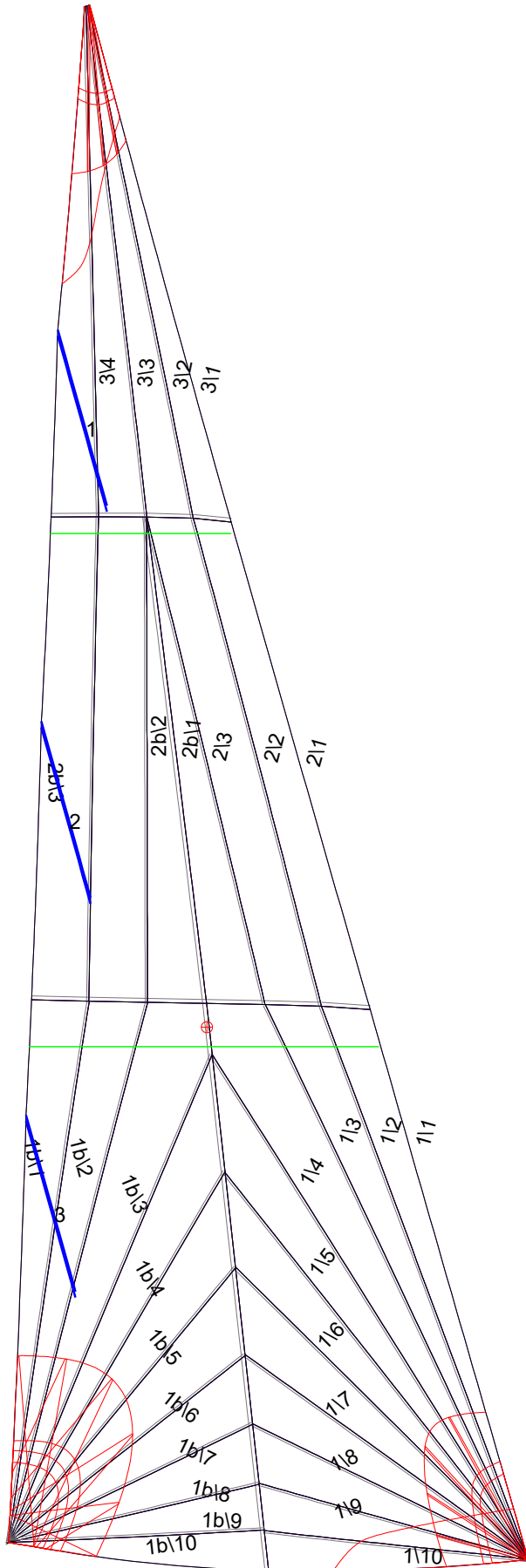
Draft Stripes

1, Luff: 3.496m ; Leech: 3.257m ;
 2, Luff: 6.990m ; Leech: 6.614m ;

Luff Curve

		Fanned Luff (@ 5.00% [0.170m])	Before BSeam
10.569m,	0.000m	100% (10.569m) :	0.000m -0.000m
9.691m,	0.021m	90% (9.512m) :	-0.022m 0.003m
8.720m,	0.038m	80% (8.456m) :	-0.040m 0.009m
7.865m,	0.046m	70% (7.399m) :	-0.047m 0.021m
6.870m,	0.050m	60% (6.342m) :	-0.048m 0.031m
5.260m,	0.043m	50% (5.285m) :	-0.044m 0.038m
3.435m,	0.030m	40% (4.228m) :	-0.037m 0.039m
1.787m,	0.015m	30% (3.171m) :	-0.029m 0.037m
0.000m,	0.000m	20% (2.114m) :	-0.020m 0.028m
		10% (1.056m) :	-0.011m 0.013m
		0% (0.000m) :	0.000m 0.000m

Genoa: 6001204 Torodd Dehler 29-2 GenoaV1.des



Seam Allowances

Zone:	Split	Radial	Cross
Zone: 1/a	0.025m	0.015m	0.025m
Zone: 1/b	0.025m	0.015m	0.025m
Zone: 2/a	0.025m	0.015m	0.025m
Zone: 2/b	0.025m	0.015m	0.025m
Zone: 3	0.025m	0.015m	0.025m

Edge Excesses

Sail:	Luff	Leech	Foot
	0.000m	0.000m	0.000m

Total Seam Lengths (m)

Horizontal	3.58
Radial/Vertical	72.24
Bi-Radial Split	7.15

Materials

Material	Area (m ²)	Panels
Material 1	18.54	1\1,1\2,1\3,1\4,1\5 1\6,1\7,1\8,1\9,1\10 1b\1,1b\2,1b\3,1b\4,1b\5 1b\6,1b\7,1b\8,1b\9,1b\10 2\1,2\2,2\3,2b\1,2b\2 2b\3,3\1,3\2,3\3,3\4