

Mainsail: 3000928 Akihiro Main R0

Design Info
=====

Design File:
E:\Dropbox\Dropbox\Mike computer\Fareast Sails Production\2019\3000928 Akihiro\3000928 Akihiro Main R0.des

Initial Design Date: 11/10/2019
Boat:

Comments:

Client:

Design Data
=====

Main

Measurements

Luff geodesic:	9.500m
Leech geodesic:	9.840m
Foot geodesic:	2.950m
Head geodesic:	0.115m
Upper width (MUW):	0.550m
Three-quarter width (MTW):	0.989m
Half width (MHW):	1.769m
Quarter width (MQW):	2.426m
Foot median:	9.620m
ORC Mainsail area:	15.949m?
Surface area:	16.150m?

Battens

Position	Length	Roach	Angle	Full
80.000%	0.844m	0.100m	74.847?	Full
60.000%	0.885m	0.138m	74.847?	
40.000%	0.885m	0.115m	74.847?	
20.000%	0.737m	0.066m	74.847?	

Reefing Points

1, Luff: 1.282m ; Leech: 1.320m ; Offset: 0.000m ; Number Eyelets: 2
2, Luff: 2.707m ; Leech: 2.786m ; Offset: 0.000m ; Number Eyelets: 2

Luff Curve

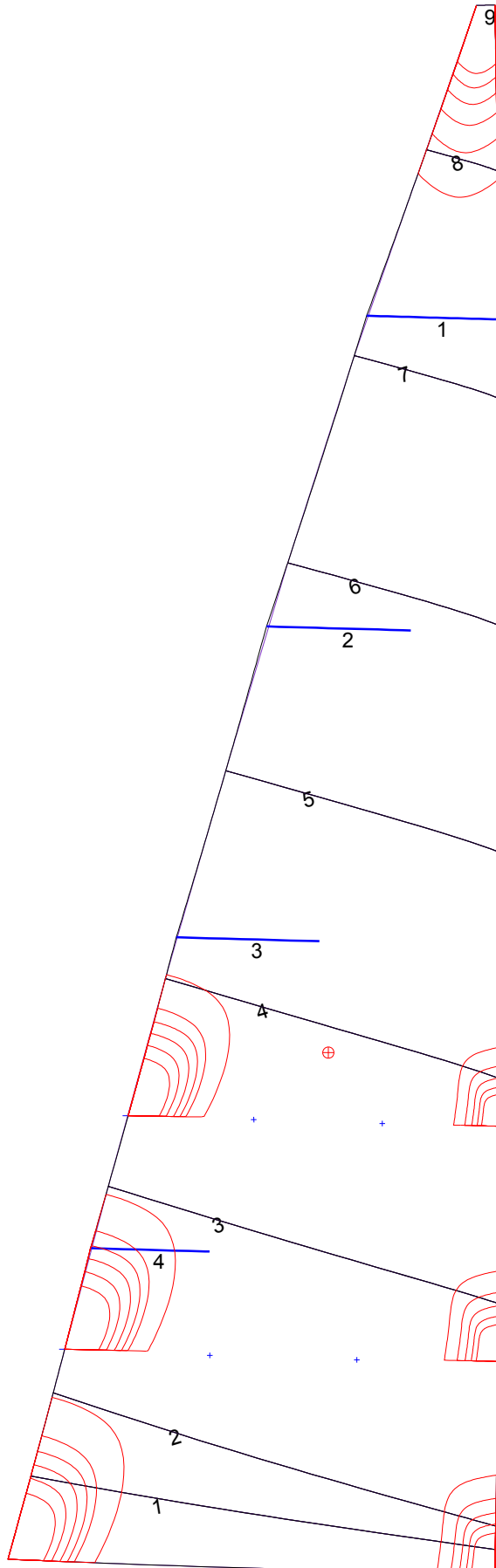
		Fanned Luff (@ 5.00% [0. Before BSeam	
9.500m,	0.000m	100% (9.500m) :	-0.000m 0.000m
8.316m,	-0.020m	90% (8.550m) :	0.011m 0.029m
7.125m,	-0.034m	80% (7.600m) :	0.022m 0.058m
5.931m,	-0.041m	70% (6.650m) :	0.028m 0.081m
4.750m,	-0.043m	60% (5.700m) :	0.030m 0.097m
3.540m,	-0.039m	50% (4.750m) :	0.030m 0.104m
2.375m,	-0.031m	40% (3.800m) :	0.028m 0.104m
1.184m,	-0.018m	30% (2.850m) :	0.023m 0.095m
0.000m,	0.000m	20% (1.900m) :	0.015m 0.074m
		10% (0.950m) :	0.005m 0.040m
		0% (0.000m) :	0.000m 0.000m

Mainsail: 3000928 Akihiro Main R0

Seam Allowances			
Zone: 1	Split	Radial	Cross
	0.000m	0.000m	0.025m

Edge Excesses			
Sail:	Luff	Leech	Foot
	0.000m	0.000m	0.000m

Materials		
Material	Area (m ²)	Panels
Material 1	16.14	1,2,3,4,5 6,7,8,9



Mainsail: 3000928 Akihiro Main R0

